

DESCRIPTION : LADDER ACCESS GATE

STANDARD : BS:EN-12811-1

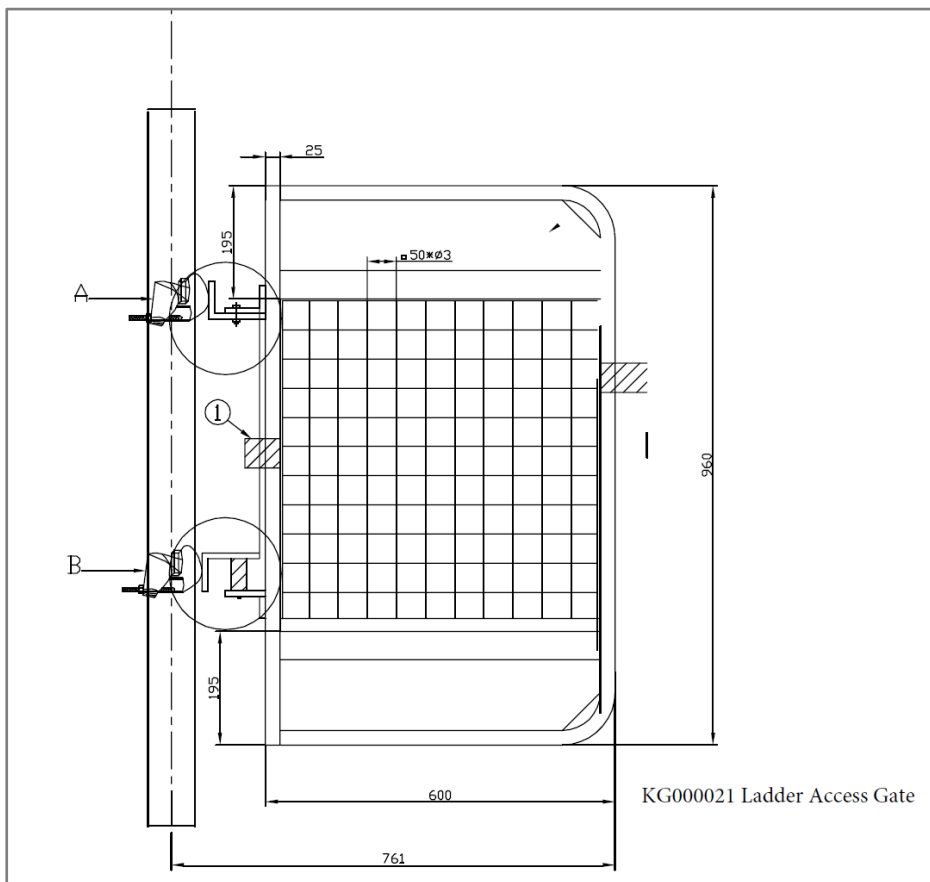
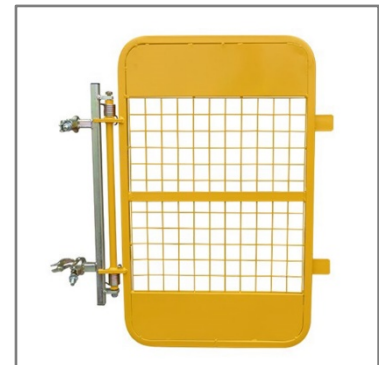
This document must be used in accordance with KGuard's Best Practice Guide.



- Always plan your work and installation
- Always regularly inspect your system
- Do not mix edge protection components (Cross-contamination invalidates manufacturer testing and warranties, and renders the system potentially unsafe)

**Product Specification**

|                          |                        |
|--------------------------|------------------------|
| <b>Width</b>             | 600mm when uninstalled |
| <b>Width</b>             | 761mm when installed   |
| <b>Height</b>            | 960mm                  |
| <b>Surface finish:</b>   | Powder coated          |
| <b>Weight : per gate</b> | 9.00kg                 |





## General

- Always tether your tools and edge protection products
- Always check product condition before use. If in doubt please contact KGuard for further advice.
- Do not use damaged or rusty components
- Always plan your works with regards to site hazards, layout, and product dimensions both when installing and dismantling
- Ensure a local site Risk Assessment and Method Statement is carried out before installation
- The addition of additional components for example, debris netting or advertising requires further assessment of the edge protection as a whole e.g. wind calculations.
- Please be aware that wind systems can adversely impact KGuard systems which should also be kept clear of ice and snow and consideration for slippery conditions.
- The KGuard system is not designed for anchorage of fall arrest safety devices.

## Selection of Fixings

- Ensure that all fixings are verified as appropriate for the specific installation location and intended use.
- Factors such as the material type and thickness, distance from edges, embedment depth, and spacing between adjacent fixings can influence the overall performance and strength. Always consult the manufacturer's instructions for guidance and any applicable limitations.
- Installation dimensions and load-bearing capacities must be checked and confirmed by the fixing manufacturer for the particular application.
- If there is any uncertainty, professional or competent advice regarding suitable fixings should be obtained.

## System Inspections

- Routine inspections should be scheduled, it is best practice to inspect gates before each work shift and after any occurrence which could affect the integrity.
- All components should be properly maintained and examined before use to ensure that all couplers should be properly maintained and examined before use to ensure that there is a free-running, lightly lubricated, fit between the butts and bolts
- Systems should be reinspected after a fall or a person or an object towards or into the edge protection system and its accessories. The system should only be re-used after having been inspected by a competent person.

## Safe Storage

- KGuard is supplied in its own range of storage solutions which have been designed for the safe storage and transportation of the KGuard solutions. We recommend all KGuard products are stored in the relevant storage when not in use.
- KGuard components should be stored away from any areas whereby weather or corrosive substances can affect the components.
- KGuard recommends the use of the KGuard storage container cover where possible.

For any further advice please contact KGuard via telephone (01296 330244) or email [info@kguard.co.uk](mailto:info@kguard.co.uk).