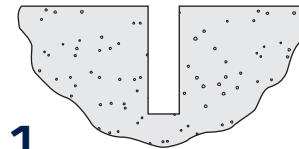
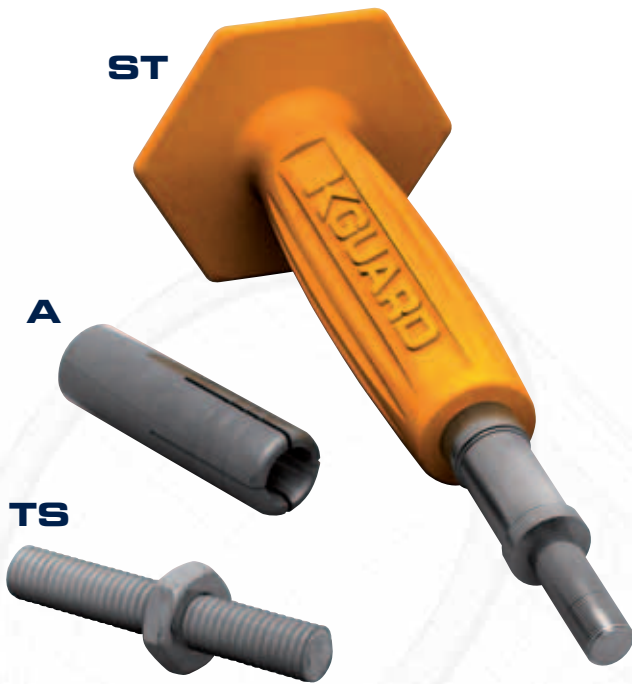
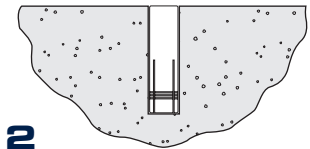


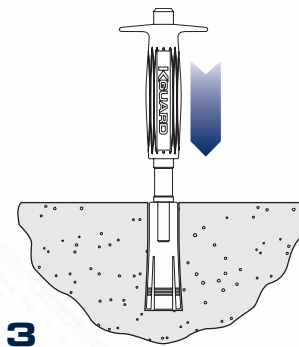
M16 Anchor Fixings and Tools



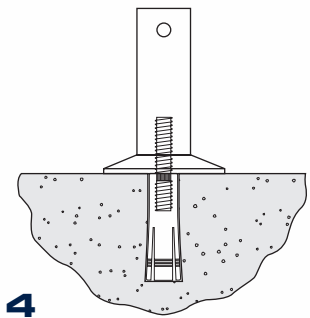
1
Drill Hole



2
Insert M16 Anchor



3
Secure Anchor



4
Fit Socket Base

- (A) - M16 Expanding Wedge Anchor
- (ST) - Anchor Setting Tool
- (TS) - M16 Threaded Stud for use with Socket Base

